

AQUADOCK R.O. CART ASSEMBLY INSTRUCTIONS

PURPOSE:

The purpose of these instructions is to outline the process of assembling an AquaDock R.O. Cart.

EQUIPMENT NEEDED:

8 mm wrench or equivalent for M5 screws

10 mm wrench or equivalent for M6 screws

Phillips screwdriver

PROCEDURES:

Assembly of AquaDock R.O. Cart

1. The AquaDock R.O. CART trolley base comes already pre-assembled.

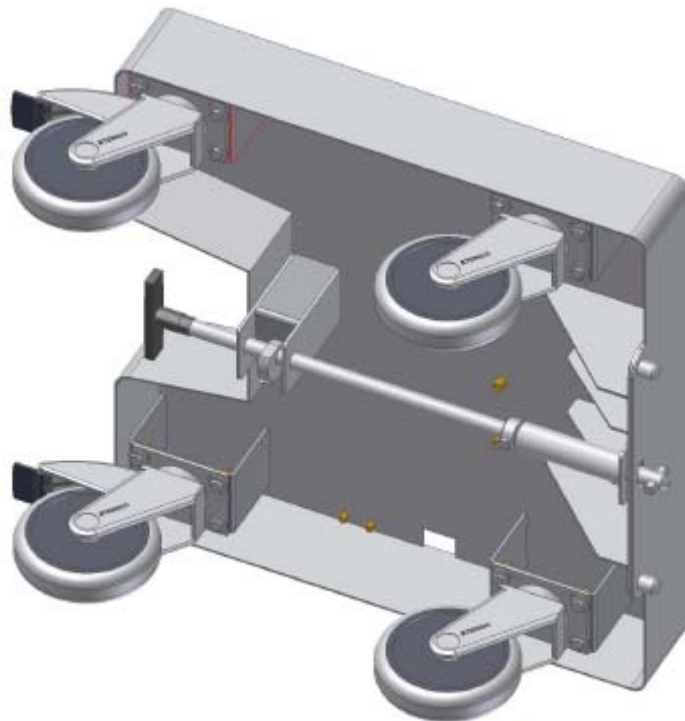


Figure 1 – trolley base

AQUADOCK R.O. CART ASSEMBLY INSTRUCTIONS

- Set the cart base onto its wheels and insert the upright into the square holes in the cart base (see Figure 2). Position the upright so the bracket is facing the same direction as the black plastic lock handle. Locate and install the eight (8) M5X14 screws (LMW P/N 3049367) to secure the upright to the cart base (see Figure 2, left).

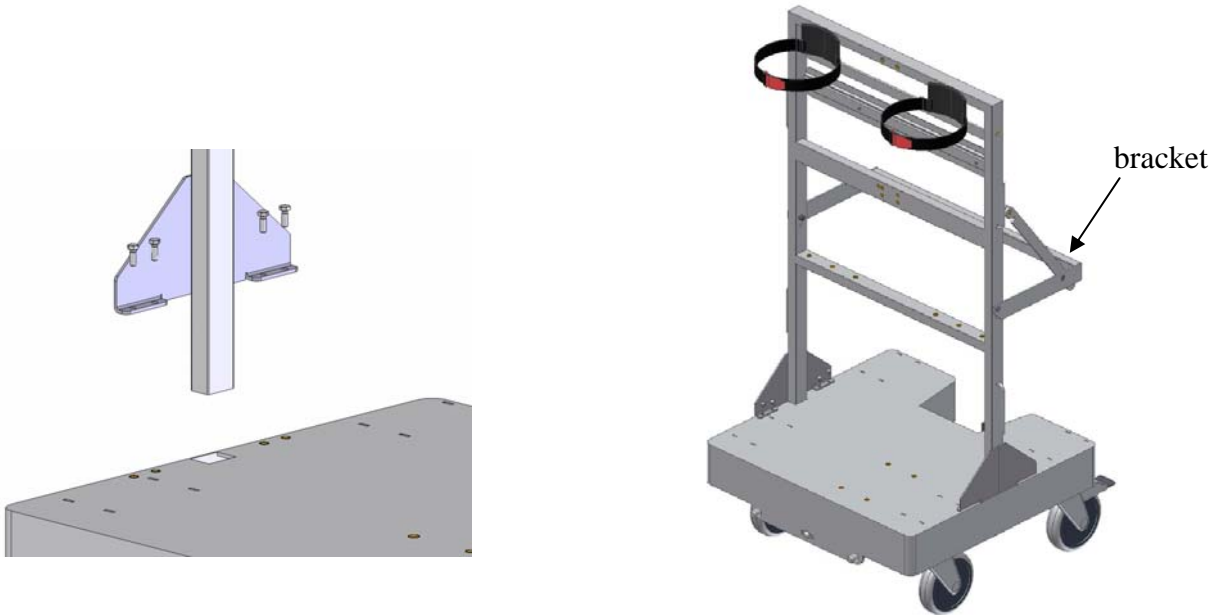


Figure 2 – Upright Installation

- Locate and install eyelet bolts (one each side of upright) with M8X25 screws (LMW P/N 3032446) and washer (LMW P/N 3032410) (see Figure 3)

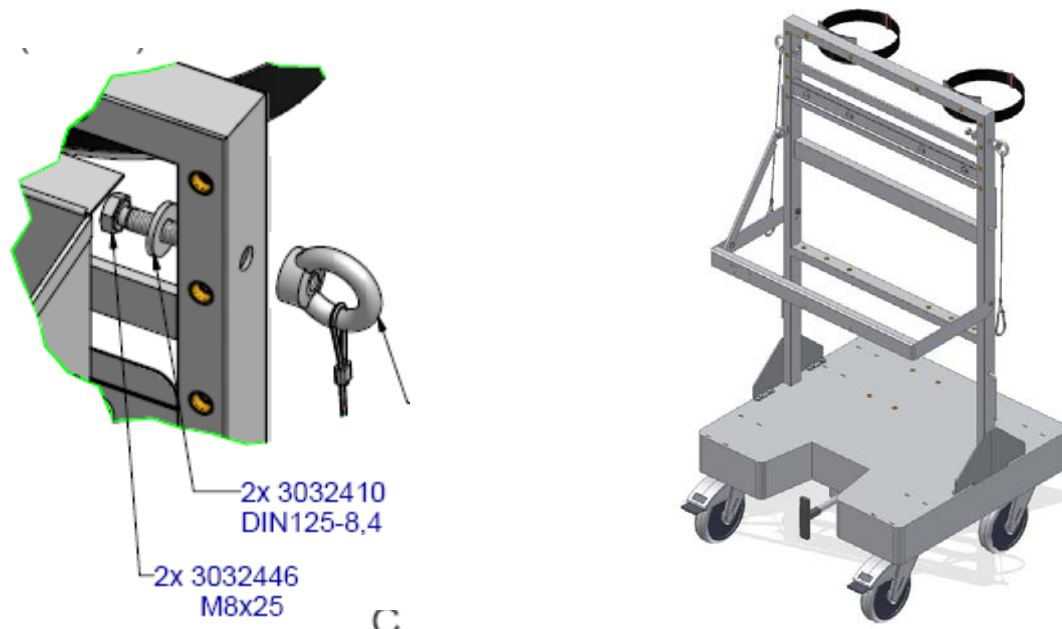


Figure 3 – Eyelet bolts installation

AQUADOCK R.O. CART ASSEMBLY INSTRUCTIONS

- The frame of the cart must be completed with the tray (see Figure 4) and handlebars (see Figure 5) after fixing the upright onto the trolley base.
Locate and install tray with four (4) M6X12 Philips screws (LMW P/N 3037247).

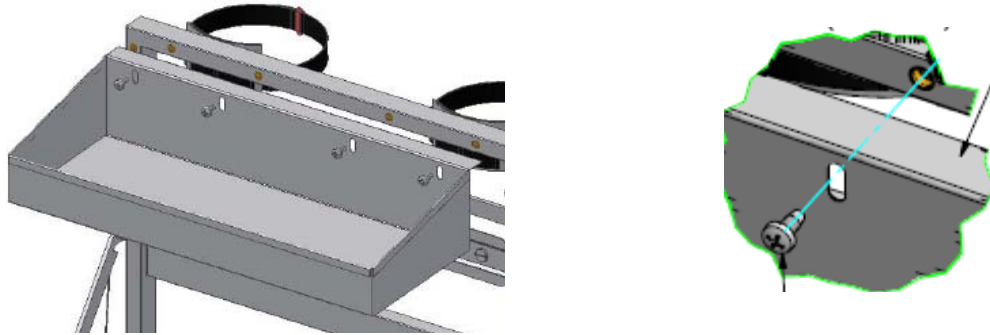


Figure 4 – Tray with four Philips screws

- Locate and install the eight (8) M6X16 screws (LMW P/N 3049412) to secure handle bars to the upright. Use two (2) M5X16 screws for fixing the stabilization bar underneath the handle bars (See Figure 5).

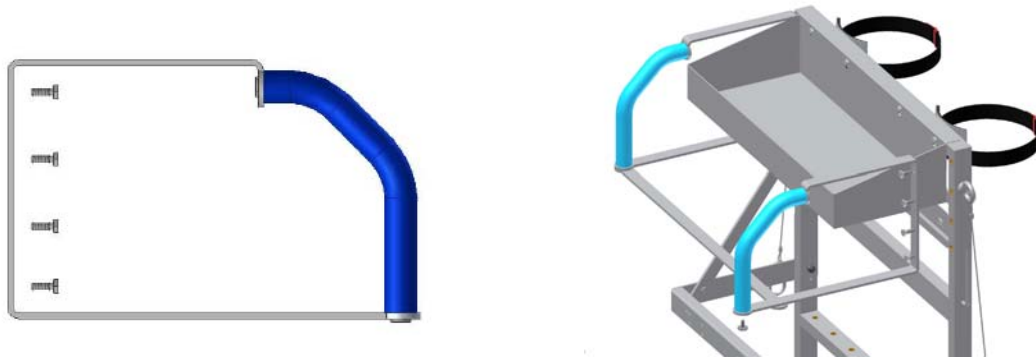


Figure 5 – Installation of handle bars

- Locate and install the two (2) Velcro® straps that fix the carbon tanks with four (4) M6X16 screws (LMW P/N 3049412) (see Figure 6).

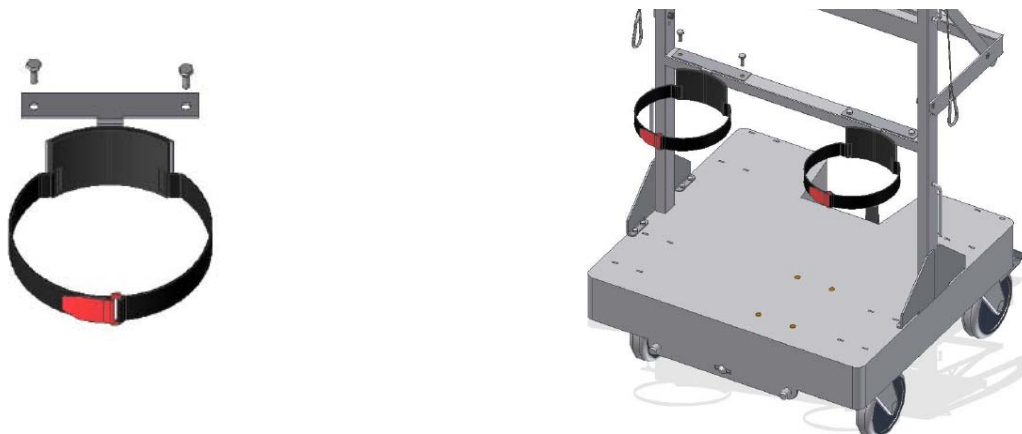


Figure 6 – Velcro® straps

AQUADOCK R.O. CART ASSEMBLY INSTRUCTIONS

Installation of the AquaDock R.O. Cart

1. Figure 7 shows the completely installed AquaDock™ RO CART unit.

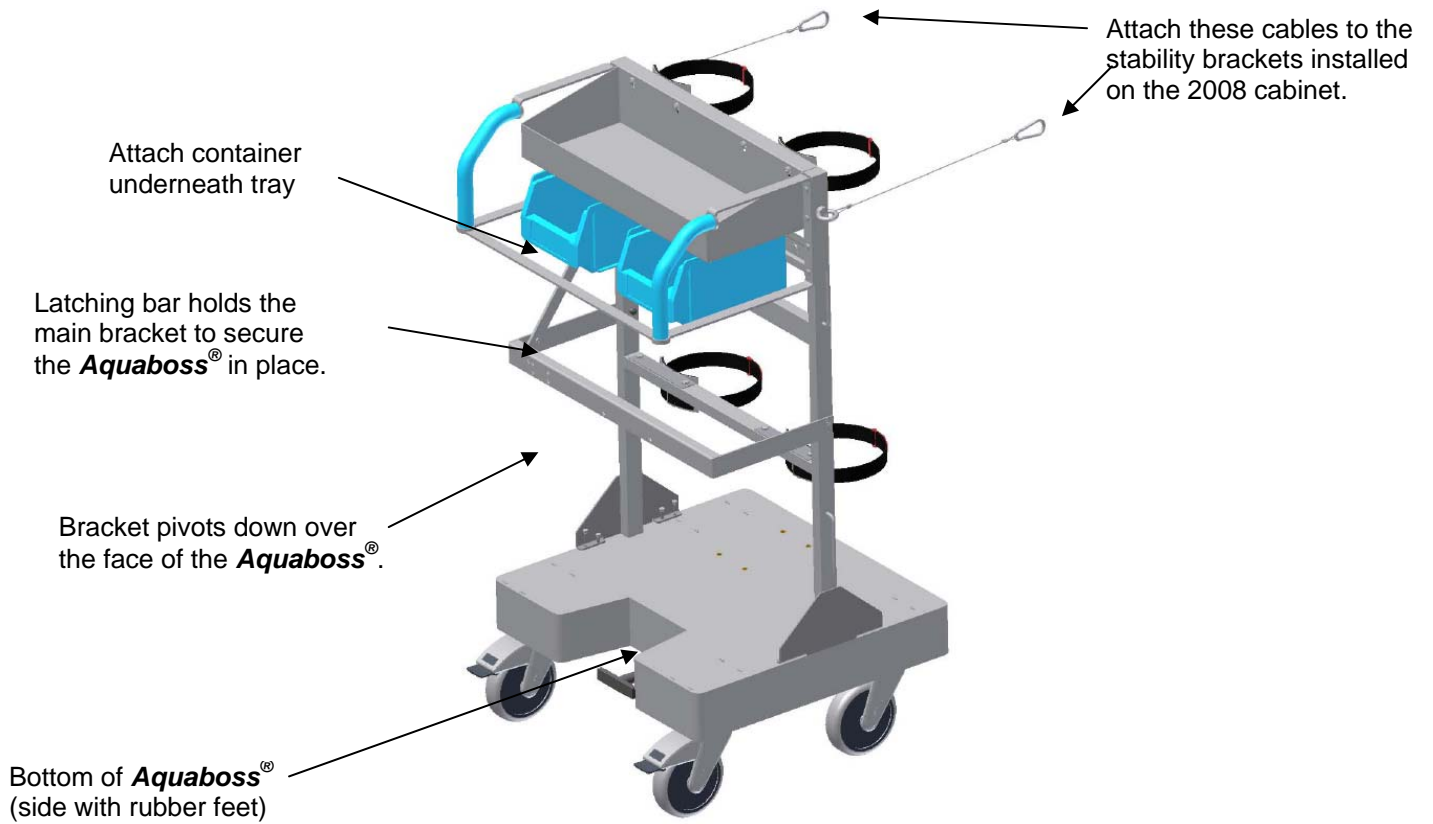


Figure 7 – AquaDock™ RO CART Installed

AQUADOCK 2008 BASE SET INSTALLATION INSTRUCTIONS

PURPOSE:

The purpose of these instructions is to outline the process of installing an AquaDock 2008 Base Set to a Fresenius 2008 Hemodialysis system.

EQUIPMENT NEEDED:

10 mm wrench or equivalent

PROCEDURES:

Installation of AquaDock 2008 Base Set

1. Clamp the hydroblock vent hose to prevent water from spilling while tipping the machine.
2. Place protective material on the floor where the side of the machine will be resting.

WARNING: A second person may be needed to assist in the next step.

3. Tip the machine onto its side and lay it carefully onto the protective material.
4. With the machine resting on its side, remove the casters and brake assembly including the brake actuator rod.
5. Once the casters and brake system has been removed locate and install the sixteen (16) M6X16 screws (LMW P/N 3049412) into the threaded holes used for the original casters. Thread them in so that about ½” of thread remains visible (see Figure 1).

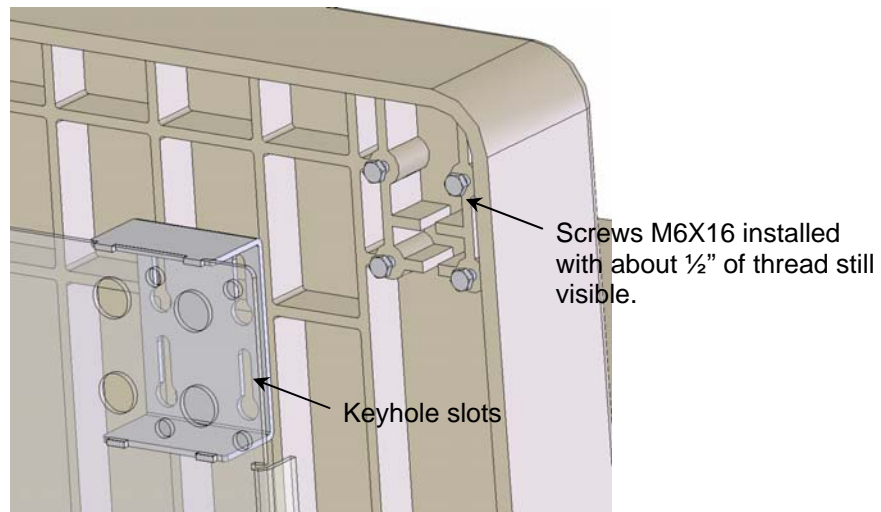


Figure 1 – Keyholes Slots and screws

6. Install the AquaDock caster plate such that the heavy bar faces out the rear of the machine (see Figure 2). The caster plate has keyholes type slots (see Figure 1). Align all of the screw heads into the keyholes and slid the caster plate towards the rear of the machine.

AQUADOCK 2008 BASE SET INSTALLATION INSTRUCTIONS

7. Tighten all sixteen screws while holding the plate towards the rear of the machine.

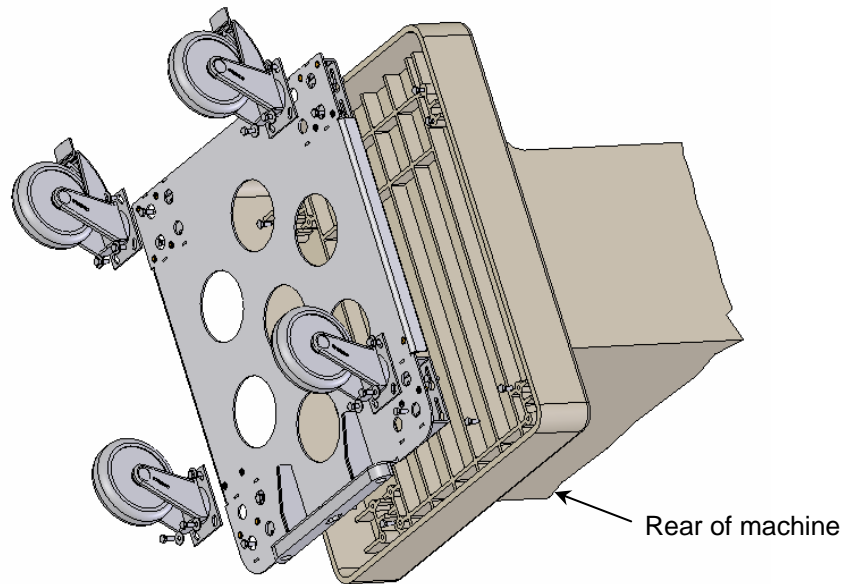


Figure 2 – Base Plate Positioning

8. Locate and install the two (2) locking casters and the two (2) non-locking casters to the caster plate using four (4) M6X16 screws (LMW P/N 3049412) and four (4) 6.4X18 washers (LMW P/N 30 32405) per caster. The locking casters should be mounted to the front of the machine (See Figure 3).

WARNING: A second person may be needed to assist in the next step.

9. Lift the machine back to its upright position

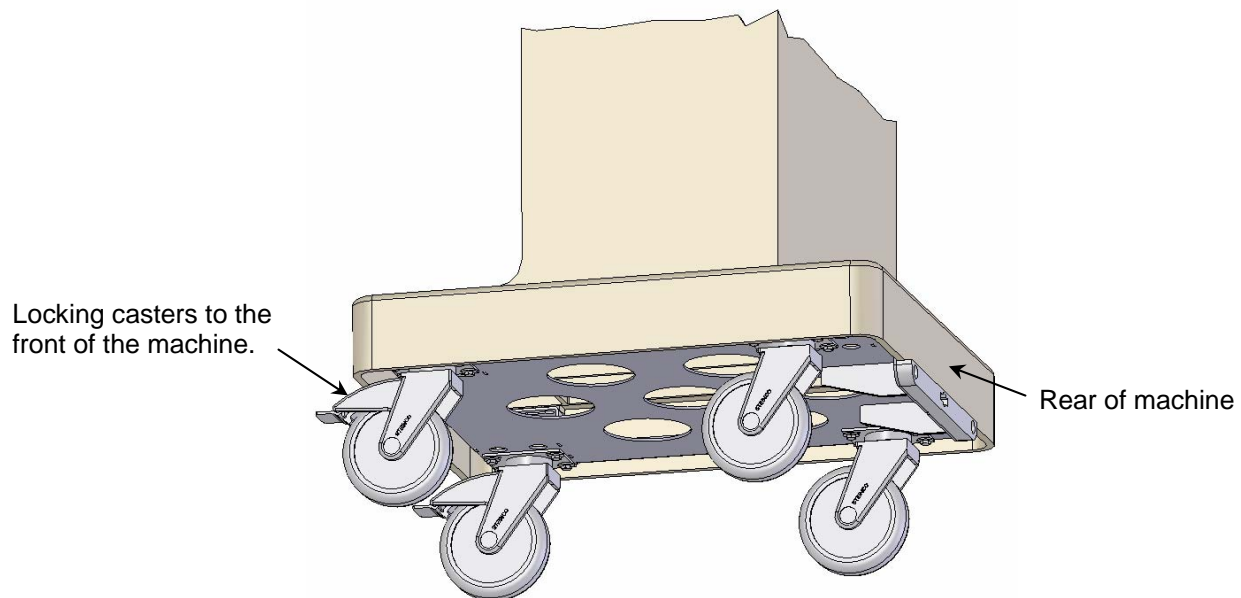


Figure 3 – Fully Assembled

AQUADOCK 2008 BASE SET INSTALLATION INSTRUCTIONS

AquaDock Stability Bracket Installation

1. Remove the rear panel from the 2008.

CAUTION: Before drill holes in the cabinet, make sure that no wires or tubing can be damaged.

2. Using the dimensions shown in Figure 4, drill three 1/4" holes in both sides of the 2008 cabinet.

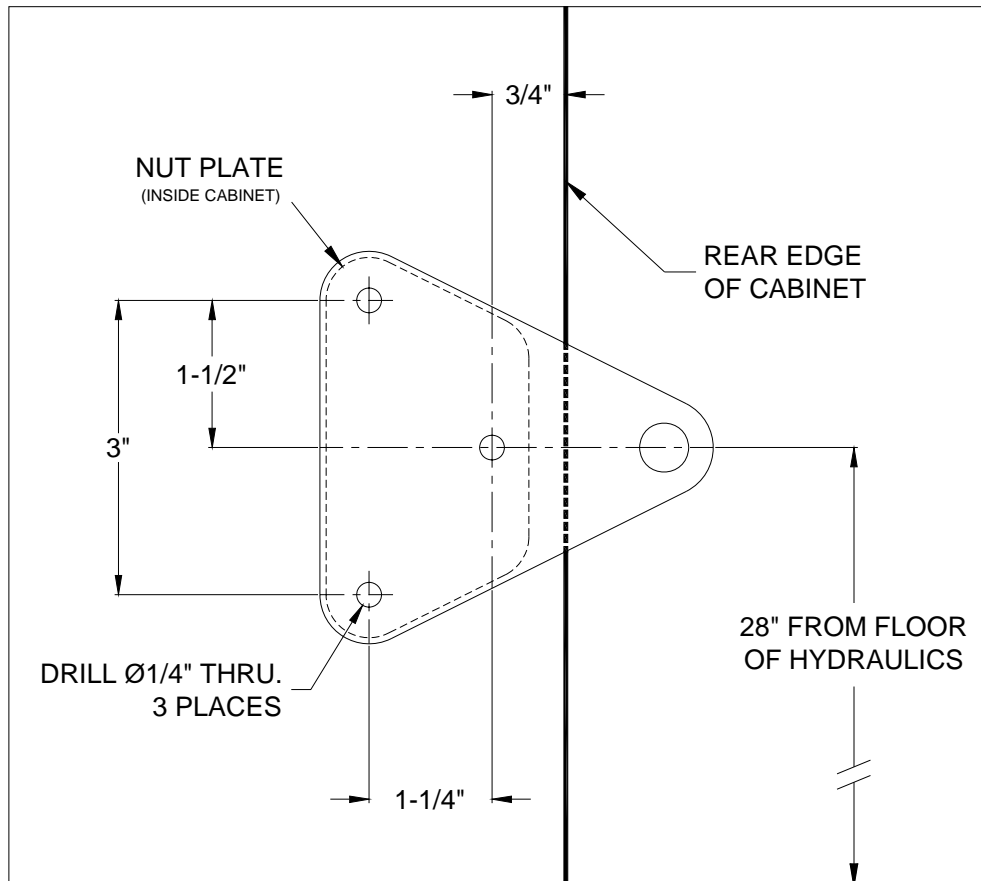


Figure 4 – Stability Bracket Hole Locations (not to scale)

3. Install a bracket set (LMW P/N 9309400) to the cabinet by “sandwiching” the cabinet between the backing plate and the triangle bracket. Install the three screws M5X25 and washer through the triangle plate on the outside of the cabinet and thread them into the backing plate on the inside of the cabinet. Tighten the screws.
4. Repeat the process on the other side of the cabinet.

***Aquaboss*[®] Booster DEH 2HM3. MOUNTING INSTRUCTIONS**

PURPOSE:

The purpose of these instructions is to outline the process of mounting the *Aquaboss*[®] Booster DEH 2HM3 (LMW P/N: 1800205; FMC P/N 370052-104) on the *Aquadock*[™] RO Cart (LMW P/N: 2010021; FMC P/N 370054-01).

EQUIPMENT NEEDED:

- 8 mm wrench or equivalent for M5 screws
- 10 mm wrench or equivalent for M6 screws
- Phillips screwdriver

PROCEDURES:

The *Aquaboss*[®] Booster DEH 2HM3 (LMW P/N: 1800205; FMC P/N 370052-104) is designed to fit on an fully equipped *Aquadock*[™] RO Cart (LMW P/N: 2010021; FMC P/N 370054-01)

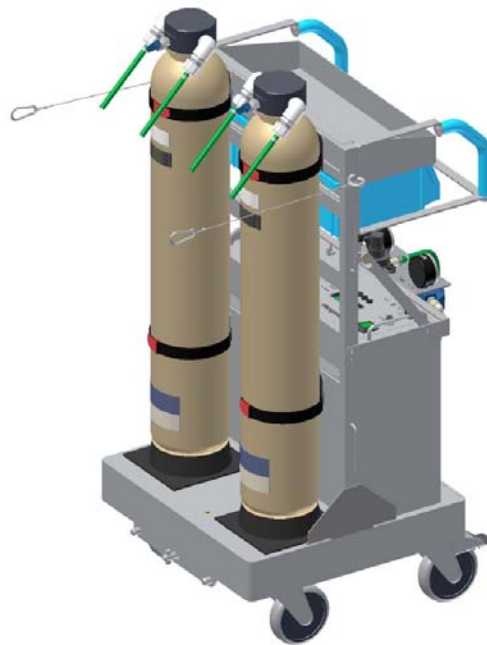


Figure 1 – *Aquadock*[™] RO CART w/o DEH2 HM3 booster pmp

Aquaboss[®] Booster DEH 2HM3. MOUNTING INSTRUCTIONS

1. Open quick connects from carbon tank inlet / outlets and disconnect tubing from the carbon tanks. Keep in mind that inlet and outlet of the carbon bottles are coded. Open Velcro[®] straps and remove carbon tanks from the rubber pads. Remove rubber pads. (see Figure 2)

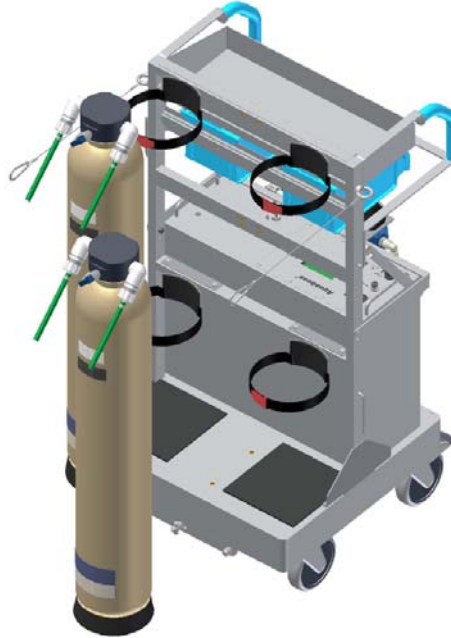


Figure 2 – Remove Carbon Tanks

2. Unfasten four (4) M6x16 screws (LMW P/N 3049412) and detach the two (2) Velcro[®] straps that previously fixed the carbon tanks (See Figure 3)

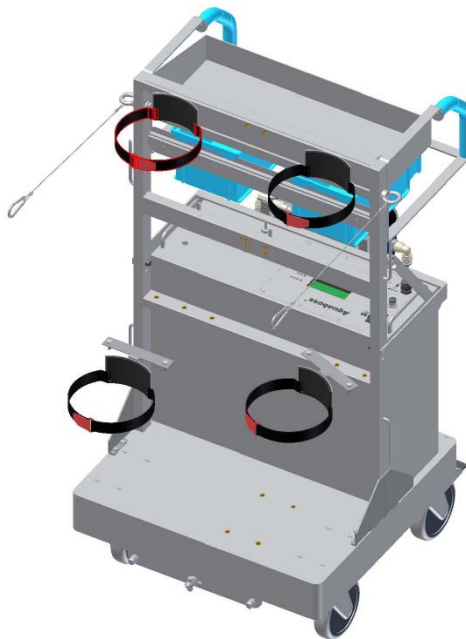


Figure 3 – Detach Velcro[®] straps

Aquaboss® Booster DEH 2HM3. MOUNTING INSTRUCTIONS

3. Locate the four (4) M6x20 (LMW P/N 3037978) and four (4) washer (LMW P/N 3032405)
Locate to install the booster pump with the pre-assembled pump control on the cart platform.
(See Figure 4)

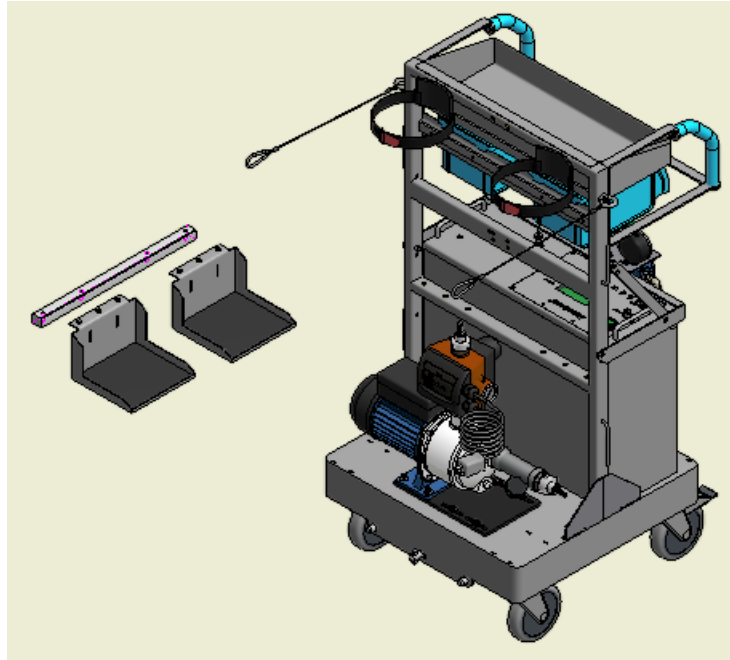


Figure 4 – Locate and install pump and pump control

4. Locate plastic rail on the cross brace of the Cart

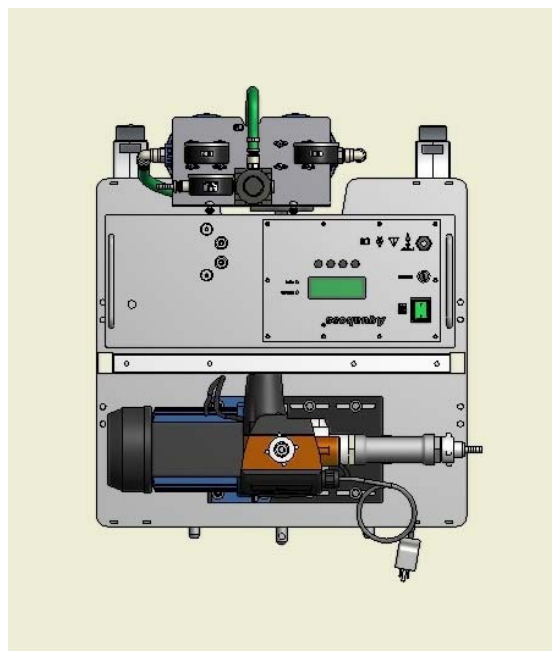


Figure 5 – Plastic rail located

Aquaboss[®] Booster DEH 2HM3. MOUNTING INSTRUCTIONS

5. Relocate and install the two (2) remaining Velcro[®] straps that fix the carbon tanks. (See figure 6)

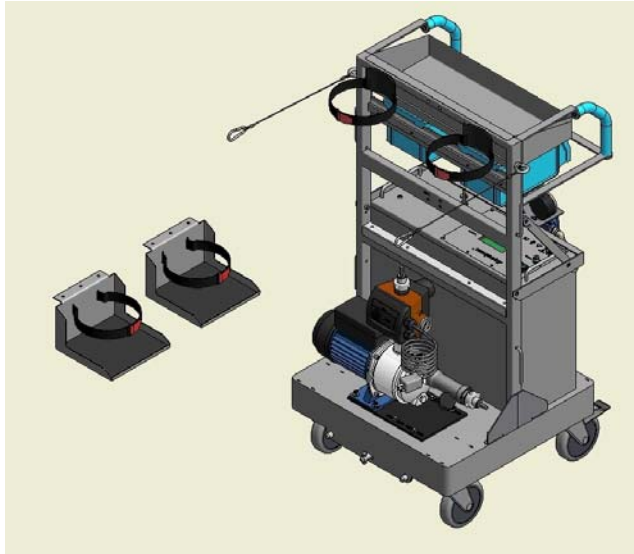


Figure 6 - Relocate Velcro[®] straps

6. Locate and install the four (2x2) M6x40 screws (LMW P/N 3051884) to secure carbon tank trays (LMW P/N 3049417) on the cross brace (See figure 7).

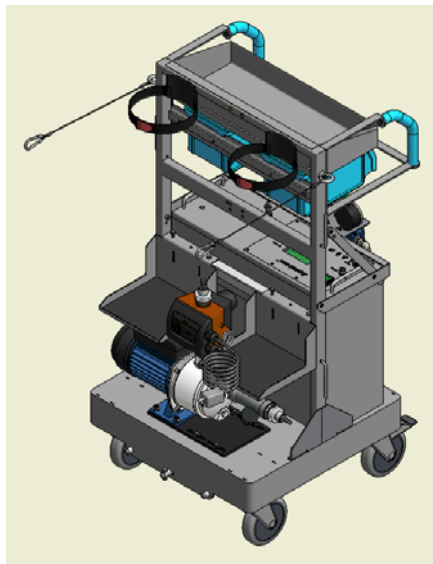


Figure 7 – Relocate carbon tank trays

Aquaboss[®] Booster DEH 2HM3. MOUNTING INSTRUCTIONS

7. Position two activated carbon tanks on rubber pads and fix them securely with two Velcro[®] straps each. Keep in mind that carbon bottle inlets and outlets are coded (see Figure 8).

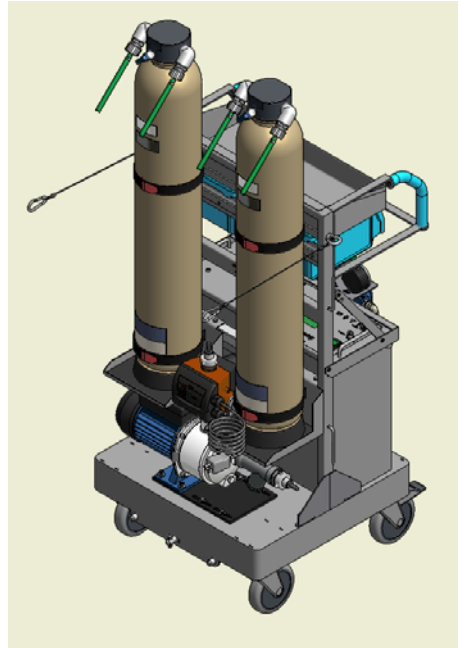


Figure 8 – Velcro[®] straps

8. Attach warning label (see Figure 9)

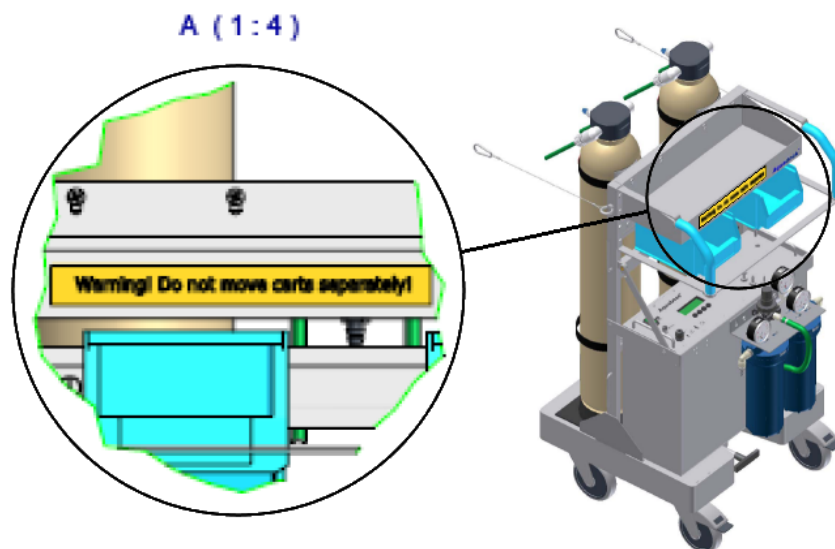


Figure 9 – Position of warning label

Aquaboss® Booster DEH 2HM3. MOUNTING INSTRUCTIONS

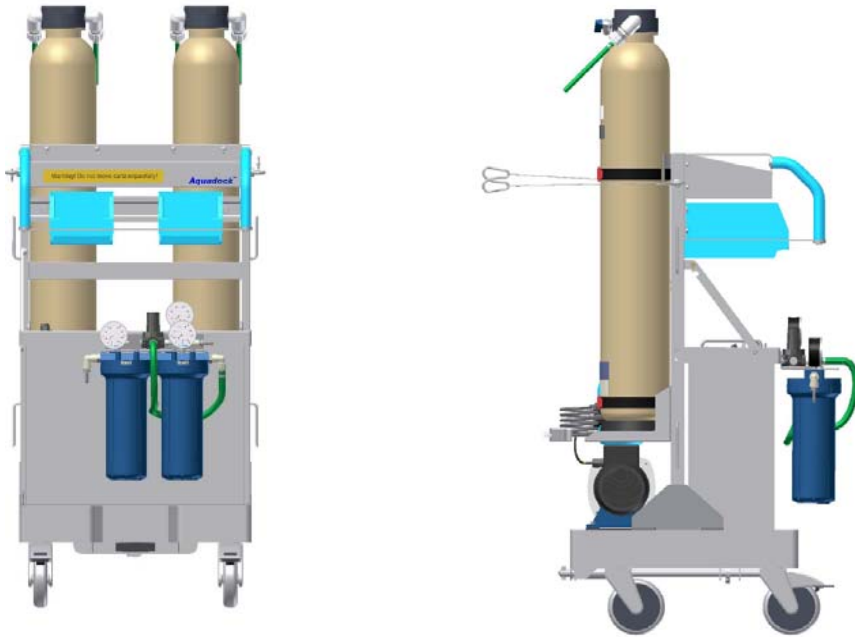


Figure 10- Front / side view of a fully equipped RO CART